



DRX™ MCCB

Type and frame size	Rated Current (A)	Poles	Cat.Nos	MRP* ₹ / Unit	Pack
---------------------	-------------------	-------	---------	---------------	------

DRX MCCBs

DRX 100	63 A	3 Pole	0270 39	2604	1/12
Icu = 10 kA	75 A	3 Pole	0270 07	2604	1/12
	100 A	3 Pole	0270 08	2604	1/12
	63 A	4 Pole	0270 29	4072	1/12
	75 A	4 Pole	0270 17	4072	1/12
	100 A	4 Pole	0270 18	4072	1/12

Description	Cat. Nos	MRP* ₹ / Unit	Pack
-------------	----------	---------------	------

DIN rail adaptor

DRX 100	0271 87	416	1
---------	---------	-----	---

Rotary handles - Direct

DRX 100	6687 70	1064	1
---------	---------	------	---

Rotary handles - vary-depth

DRX 100	6687 71	1680	1
---------	---------	------	---

Padlocking support for operating handle

DRX 100	0271 80	138	1
---------	---------	-----	---

Connection accessories

Set of 2 shields for 3 pole	0271 81	98	1
-----------------------------	---------	----	---

Sealable terminal shields (moulded shrouds)

For DRX 100 - 3 pole	0271 83	1360	1
For DRX 100 - 4 pole	0271 84	1358	1

Cage terminals

For DRX 100 - 3 pole	0271 71	264	1
For DRX 100 - 4 pole	0271 73	278	1

Electrical accessories

Block with 1 auxiliary (1 AUX)	0271 40	864	1
Block with 1 alarm (1 AL)	0271 41	882	1
Block with 1 auxiliary + 1 alarm (1 AUX + 1 AL)	0271 42	1450	1

Current shunt coils

200/277 V~ and =	0271 54	1800	1
380/480 V~ and =	0271 55	1800	1

Undervoltage release coils

200/240 V~	0271 64	2294	1
380/415 V~	0271 65	2328	1

DRX spreader links

3 Links set for TP	6250 10	192	1
4 Links set for FP	6250 11	288	1

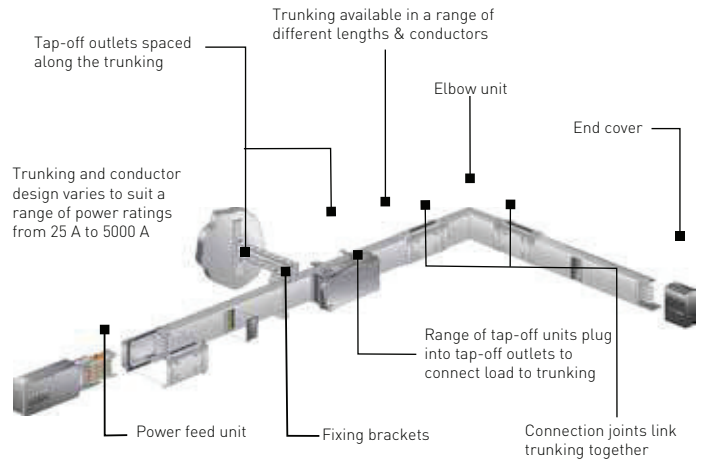
Metal one way enclosures for MCCB

Cat.Nos	Description	No. of modules	MRP* ₹ / Unit	Pack
5078 05	DRX 100 MCCB enclosure-TP	3	2180	1
5078 06	DRX 100 MCCB enclosure-FP	3	2056	1

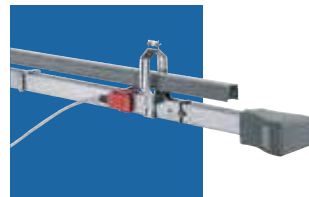
* MRP - Maximum Retail Price Inclusive of all taxes including GST.

BUSBAR TRUNKING SYSTEM

FOR INDUSTRIAL, COMMERCIAL, RESIDENTIAL AND SERVICE SECTOR BUILDINGS

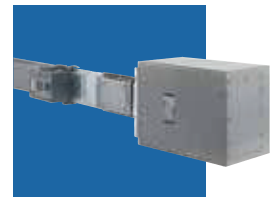


Exclusive features



Low Power (25 A, 40 A, 63 A)

- Lighting busway
- 2, 4 & 6 pole
- IP 55 protection
- Tap off units at each 0.5 mt interval
- Copper busbars



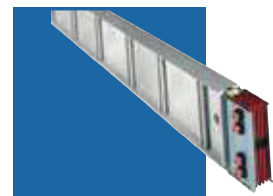
Medium Power (63 A - 1000 A)

- Riser mains application
- IP 40, IP 52, IP 55 protection
- Tap off units at each 1 mt interval
- Aluminium & copper busbars



Cast Resin Busbar (630 A - 6300 A)

- Fully insulated with epoxy resin
- IP68 suited for outdoor
- Industrial plants, Petrochemical plants, Chemical plants in areas with risk of flooding.



Super Compact (630 A - 6300 A)

- Sandwich type construction
- IP 65 protection
- Tap off boxes at each 1 mt interval
- Aluminium & copper busbars



Scan to know more about the product.

Bold Cat.Nos are products normally available with Legrand (India) Stockists. Cat.Nos that are not bold - delivery within 4 - 8 weeks from the date of order. Bold packing quantity is our mandatory packing. Orders to be placed by Legrand (India) Stockist in multiples of the same.

DPX³ MCCB

DPX³ MCCB with Thermal Magnetic Protection Unit

- Range: 16A – 1250A, Ics=100%Icu, Four Optimum Frames
 - Thermal Adjustable – 0.8 to 1In, Magnetic Adjustable** – 5 to 10In
 - Breaking Capacity# – 16kA, 25kA, 36kA, 50kA, 70kA & 100kA
 - Option for In built or add on module for Earth Leakage Protection##
 - Adjustable sensitivity: 0.03 - 0.3 - 1 - 3 A
 - Adjustable tripping: 0 - 0.3 - 1 - 3s
 - Suitable for Isolation
- ** Fixed at 10In for DPX³ 160
 # Refer Catalogue for frame wise data
 ## For DPX³ 160, DPX³ 250 and DPX³ 630 Only

Category	Type	Rated Current (A)	3P			4P		
			Cat.Nos	MRP*/₹/Unit	Pack	Cat.Nos	MRP*/₹/Unit	Pack

Thermal Magnetic : O/L & S/C protection

16 KA	DPX ³ 160	16	4200 00	6376	1	4200 10	8496	1	
		25	4200 01	6376	1	4200 11	8496	1	
		40	4200 02	6376	1	4200 12	8496	1	
		63	4200 03	6376	1	4200 13	8496	1	
		80	4200 04	6376	1	4200 14	8496	1	
		100	4200 05	6376	1	4200 15	8496	1	
		125	4200 06	6896	1	4200 16	8550	1	
		160	4200 07	8892	1	4200 17	11194	1	
25 KA	DPX ³ 160	16	4200 40	6908	1	4200 50	9604	1	
		25	4200 41	6908	1	4200 51	9604	1	
		40	4200 42	6908	1	4200 52	9604	1	
		63	4200 43	6908	1	4200 53	9604	1	
		80	4200 44	6908	1	4200 54	9604	1	
		100	4200 45	6908	1	4200 55	9604	1	
		125	4200 46	9996	1	4200 56	12130	1	
		160	4200 47	13366	1	4200 57	15444	1	
		DPX ³ 250	200	4202 08	18038	1	4202 18	21794	1
	250		4202 09	20910	1	4202 19	28176	1	
36 KA	DPX ³ 160	16	4200 80	9080	1	4200 90	11170	1	
		25	4200 81	9080	1	4200 91	11330	1	
		40	4200 82	9080	1	4200 92	11330	1	
		63	4200 83	9080	1	4200 93	11330	1	
		80	4200 84	9080	1	4200 94	11330	1	
		100	4200 85	9080	1	4200 95	11330	1	
		125	4200 86	10206	1	4200 96	13892	1	
		160	4200 87	13722	1	4200 97	15706	1	
		DPX ³ 250	200	4202 38	23794	1	4202 48	30084	1
	250		4202 39	26406	1	4202 49	32218	1	
		DPX ³ 630	320	4220 01	30866	1	4220 06	35054	1
	400		4220 02	30866	1	4220 07	35824	1	
	500		4220 03	38184	1	4220 08	45416	1	
	630		4220 04	38184	1	4220 09	46578	1	
		DPX ³ 1600	800	4222 52	56396	1	4222 57	63448	1
	1000		4222 53	73612	1	4222 58	93058	1	
	1250		4222 54	105180	1	4222 59	111952	1	

■ Price available on request.
 * MRP - Maximum Retail Price Inclusive of all taxes including GST.

Bold Cat.Nos are products normally available with Legrand (India) Stockists. Cat.Nos that are not bold - delivery within 4 - 8 weeks from the date of order. Bold packing quantity is our mandatory packing. Orders to be placed by Legrand (India) Stockist in multiples of the same.

DPX³ MCCB
DPX³ MCCB with Thermal Magnetic Protection Unit

Category	Type	Rated Current (A)	3P			4P		
			Cat.Nos	MRP*/₹/Unit	Pack	Cat.Nos	MRP*/₹/Unit	Pack
Thermal Magnetic : O/L & S/C protection								
50 KA	DPX ³ 160	16	4201 20	11664	1	4201 30	14696	1
		25	4201 21	11664	1	4201 31	14696	1
		40	4201 22	11664	1	4201 32	14696	1
		63	4201 23	11664	1	4201 33	14696	1
		80	4201 24	11664	1	4201 34	14696	1
		100	4201 25	11664	1	4201 35	14696	1
		125	4201 26	15284	1	4201 36	17612	1
		160	4201 27	17204	1	4201 37	20014	1
	DPX ³ 250	200	4202 68	27542	1	4202 78	34796	1
		250	4202 69	29078	1	4202 79	36190	1
	DPX ³ 630	320	4220 15	33510	1	4220 20	40844	1
		400	4220 16	34232	1	4220 21	40844	1
		500	4220 17	43566	1	4220 22	55018	1
		630	4220 18	43566	1	4220 23	56410	1
	DPX ³ 1600	800	4222 64	59394	1	4222 69	69720	1
		1000	4222 65	92646	1	4222 70	104586	1
		1250	4222 66	136104	1	4222 71	139446	1
	70 KA	DPX ³ 250	100	4206 05	23474	1	4206 15	25910
160			4206 07	29328	1	4206 17	36466	1
200			4206 08	36112	1	4206 18	44434	1
250			4206 09	38374	1	4206 19	46256	1
DPX ³ 630		320	4220 29	39204	1	4220 34	48552	1
		400	4220 30	39210	1	4220 35	48552	1
		500	4220 31	51136	1	4220 36	65876	1
		630	4220 32	53742	1	4220 37	65876	1
DPX ³ 1600		800	4222 76	93700	1	4222 81	108628	1
		1000	4222 77	141890	1	4222 82	200902	1
		1250	4222 78	145360	1	4222 83	231662	1

* MRP - Maximum Retail Price Inclusive of all taxes including GST.
 ■ Price available on request.

Bold Cat.Nos are products normally available with Legrand (India) Stockists. Cat.Nos that are not bold - delivery within 4 - 8 weeks from the date of order. **Bold packing quantity** is our mandatory packing. Orders to be placed by Legrand (India) Stockist in multiples of the same.

DPX³ MCCB

DPX³ MCCB with Thermal Magnetic Protection Unit

Category	Type	Rated Current (A)	3P			4P				
			Cat.Nos	MRP*/₹/Unit	Pack	Cat.Nos	MRP*/₹/Unit	Pack		
Thermal Magnetic + Electronic earth leakage module										
16 KA	DPX ³ 160	16	-	-	-	4200 30	27658	1		
		25	-	-	-	4200 31	27658	1		
		40	-	-	-	4200 32	27658	1		
		63	-	-	-	4200 33	27658	1		
		80	-	-	-	4200 34	27658	1		
		100	-	-	-	4200 35	27658	1		
		125	-	-	-	4200 36	29176	1		
		160	-	-	-	4200 37	37016	1		
25 KA	DPX ³ 160	16	-	-	-	4200 70	32760	1		
		25	-	-	-	4200 71	32760	1		
		40	-	-	-	4200 72	32760	1		
		63	-	-	-	4200 73	32760	1		
		80	-	-	-	4200 74	32760	1		
		100	-	-	-	4200 75	32760	1		
		125	-	-	-	4200 76	32770	1		
		160	-	-	-	4200 77	38688	1		
	DPX ³ 250	100	-	-	-	4202 25	39686	1		
		160	-	-	-	4202 27	41718	1		
		200	-	-	-	4202 28	43330	1		
		250	-	-	-	4202 29	46338	1		
		36 KA	DPX ³ 160	16	-	-	-	4201 10	39848	1
				25	-	-	-	4201 11	39848	1
40	-			-	-	4201 12	39848	1		
63	-			-	-	4201 13	39848	1		
80	-			-	-	4201 14	39848	1		
100	-			-	-	4201 15	39848	1		
125	-			-	-	4201 16	40062	1		
160	-			-	-	4201 17	47652	1		
DPX ³ 250	100	-	-	-	4202 55	41428	1			
	160	-	-	-	4202 57	48252	1			
	200	-	-	-	4202 58	50610	1			
	250	-	-	-	4202 59	54120	1			
	50 KA	DPX ³ 160	16	-	-	-	4201 50	46142	1	
			25	-	-	-	4201 51	46142	1	
40			-	-	-	4201 52	46142	1		
63			-	-	-	4201 53	46142	1		
80			-	-	-	4201 54	46142	1		
100			-	-	-	4201 55	46142	1		
125			-	-	-	4201 56	49164	1		
160			-	-	-	4201 57	52618	1		
DPX ³ 250		100	-	-	-	4202 85	49714	1		
		160	-	-	-	4202 87	57544	1		
		200	-	-	-	4202 88	60630	1		
		250	-	-	-	4202 89	64418	1		

■ Price available on request.

* MRP - Maximum Retail Price Inclusive of all taxes including GST.

Bold Cat.Nos are products normally available with Legrand (India) Stockists. Cat.Nos that are not bold - delivery within 4 - 8 weeks from the date of order. Bold packing quantity is our mandatory packing. Orders to be placed by Legrand (India) Stockist in multiples of the same.

DPX³ MCCB

DPX³ MCCB with Electronic S2[#] (LSI)[#] Protection Unit

- Range: 40A – 1600A, Ics=100%Icu, Three Optimum Frames
- Protection against overloads:
 - Ir adjustable from 0.4 to 1 x In
 - tr adjustable from 3 to 30s#
- Protection against short circuits:
 - I_{sd} adjustable from 1.5 to 10 x Ir
 - t_{sd} adjustable from 0 to 0.5s
- Inbuilt Instantaneous Protection:
 - Ii# – Fixed
- Option for In built or add on module for Earth Leakage Protection##
 - Adjustable sensitivity: 0.03 - 0.3 - 1 - 3 A
 - Adjustable tripping: 0 - 0.3 - 1 - 3s
- Breaking Capacity# – 25kA, 36kA, 50kA, 70kA & 100kA
- In built Display for Current Metering with accuracy of class 1
- Internal Battery with battery measure function
- Communication Ready via COMM Port
- Logical Selectivity Ready (Zone Selective Interlocking)
- Dynamic Selectivity as per Selectivity Charts
- In Built USB Port for Software Diagnosis
- Suitable for Isolation

Category	Type	Rated Current (A)	3P			4P		
			Cat.Nos	MRP*/₹/Unit	Pack	Cat.Nos	MRP*/₹/Unit	Pack

Electronic S2

25 KA	DPX ³ 250	40	4203 02	18718	1	4203 12	24576	1
		100	4203 05	18718	1	4203 15	24576	1
		160	4203 07	24250	1	4203 17	29004	1
		250	4203 09	31626	1	4203 19	40804	1
36 KA	DPX ³ 250	40	4203 32	20918	1	4203 42	25782	1
		100	4203 35	20918	1	4203 45	25782	1
		160	4203 37	26212	1	4203 47	34978	1
		250	4203 39	35118	1	4203 49	48044	1
	DPX ³ 630	320	4220 57	37574	1	4220 62	46902	1
		400	4220 58	37574	1	4220 63	45920	1
		500	4220 59	42044	1	4220 64	56394	1
		630	4220 60	42924	1	4220 65	57582	1
DPX ³ 1600	800	4223 00	69646	1	4223 06	86006	1	
	1000	4223 01	106640	1	4223 07	157358	1	
	1250	4223 02	128500	1	4223 08	191400	1	
	1600	4223 03	159028	1	4223 09	213606	1	
50 KA	DPX ³ 250	40	4203 62	24188	1	4203 72	32234	1
		100	4203 65	24188	1	4203 75	31710	1
		160	4203 67	29206	1	4203 77	34872	1
		250	4203 69	38972	1	4203 79	47170	1
	DPX ³ 630	320	4220 67	42666	1	4220 72	54414	1
		400	4220 68	42666	1	4220 73	54414	1
		500	4220 69	49852	1	4220 74	62316	1
		630	4220 70	49852	1	4220 75	62316	1
	DPX ³ 1600	800	4223 12	82058	1	4223 18	110650	1
		1000	4223 13	114134	1	4223 19	159072	1
		1250	4223 14	138498	1	4223 20	201880	1
		1600	4223 15	193968	1	4223 21	228346	1

* MRP - Maximum Retail Price Inclusive of all taxes including GST.
 ■ Price available on request.

Bold Cat.Nos are products normally available with Legrand (India) Stockists. Cat.Nos that are not bold - delivery within 4 - 8 weeks from the date of order. Bold packing quantity is our mandatory packing. Orders to be placed by Legrand (India) Stockist in multiples of the same.

DPX³ MCCB

DPX³ MCCB with Electronic S2[#] (LSI)[#] Protection Unit

Category	Type	Rated Current (A)	3P			4P		
			Cat.Nos	MRP*/₹/Unit	Pack	Cat.Nos	MRP*/₹/Unit	Pack

Electronic S2

70 KA	DPX ³ 250	40	4206 35	30592	1	4206 45	40470	1
		100	4206 37	30900	1	4206 47	40470	1
		160	4206 38	40466	1	4206 48	46488	1
		250	4206 39	46202	1	4206 49	59628	1
	DPX ³ 630	320	4220 77	54090	1	4220 82	69824	1
		400	4220 78	54090	1	4220 83	69824	1
		500	4220 79	61546	1	4220 84	78488	1
		630	4220 80	61546	1	4220 85	78488	1
	DPX ³ 1600	800	4223 24	107060	1	4223 30	135484	1
		1000	4223 25	150026	1	4223 31	214114	1
		1250	4223 26	179664	1	4223 32	249796	1
		1600	4223 27	241518	1	4223 33	297364	1

Electronic S2 + Electronic earth leakage module

25 kA	DPX ³ 250	40	-	-	-	4203 22	56148	1
		100	-	-	-	4203 25	55872	1
		160	-	-	-	4203 27	59936	1
		250	-	-	-	4203 29	70484	1
36 kA	DPX ³ 250	40	-	-	-	4203 52	59998	1
		100	-	-	-	4203 55	59998	1
		160	-	-	-	4203 57	66028	1
		250	-	-	-	4203 59	77172	1
50 kA	DPX ³ 250	40	-	-	-	4203 82	65018	1
		100	-	-	-	4203 85	65018	1
		160	-	-	-	4203 87	70306	1
		250	-	-	-	4203 89	81888	1
70 kA	DPX ³ 250	40	-	-	-	4206 55	82102	1
		100	-	-	-	4206 57	82102	1
		160	-	-	-	4206 58	92778	1
		250	-	-	-	4206 59	127090	1

■ Price available on request.

* MRP - Maximum Retail Price Inclusive of all taxes including GST.

Bold Cat.Nos are products normally available with Legrand (India) Stockists. Cat.Nos that are not bold - delivery within 4 - 8 weeks from the date of order. Bold packing quantity is our mandatory packing. Orders to be placed by Legrand (India) Stockist in multiples of the same.

DPX³ MCCB

DPX³ MCCB with Electronic Sg (LSIg) Protection Unit

- Range: 40A – 1600A, Ics=100%Icu, Three Optimum Frames
- Protection against Overloads:
 - Ir adjustable from 0.4 to 1 x In
 - tr adjustable from 3 to 30s#
- Protection against Short Circuits:
 - Isd adjustable from 1.5 to 10 x Ir
 - tsd adjustable from 0 to 0.5s
- Inbuilt Instantaneous Protection:
 - li# – Fixed
- Protection against Ground Fault:
 - Ig adjustable from 0.2 to 1 In & OFF
 - tg adjustable from 0.1 to 1s
- Breaking Capacity#– 25kA, 36kA, 50kA, 70kA & 100kA
- In built Display for Current Metering with high accuracy of class 1
- Internal Battery with battery measure function
- Communication Ready via COMM Port
- Logical Selectivity Ready (Zone Selective Interlocking)
- Dynamic Selectivity as per Selectivity Charts
- In Built USB Port for Software Diagnosis
- Switchable Thermal Memory
- Suitable for Isolation

Category	Type	Rated Current (A)	3P			4P		
			Cat.Nos	MRP*/₹/Unit	Pack	Cat.Nos	MRP*/₹/Unit	Pack

Electronic Sg

25 KA	DPX ³ 250	40	4205 02	34602	1	4205 12	38730	1
		100	4205 05	34602	1	4205 15	38730	1
		160	4205 07	38498	1	4205 17	42684	1
		250	4205 09	42560	1	4205 19	49800	1
36 KA	DPX ³ 250	40	4205 22	36642	1	4205 32	41278	1
		100	4205 25	36642	1	4205 35	41278	1
		160	4205 27	40458	1	4205 37	42912	1
		250	4205 29	41550	1	4205 39	44008	1
	DPX ³ 630	320	4221 37	51552	1	4221 42	55888	1
		400	4221 38	51552	1	4221 43	55888	1
		500	4221 39	53522	1	4221 44	64406	1
		630	4221 40	53522	1	4221 45	64406	1
	DPX ³ 1600	800	4223 96	102924	1	4224 02	124072	1
		1000	4223 97	136764	1	4224 03	179954	1
		1250	4223 98	153682	1	4224 04	214312	1
		1600	4223 99	159792	1	4224 05	241702	1
50 KA	DPX ³ 250	40	4205 42	36710	1	4205 52	40572	1
		100	4205 45	36710	1	4205 55	40572	1
		160	4205 47	40398	1	4205 57	44190	1
		250	4205 49	41450	1	4205 59	51774	1
	DPX ³ 630	320	4221 47	50274	1	4221 52	59838	1
		400	4221 48	50482	1	4221 53	59838	1
		500	4221 49	57278	1	4221 54	72234	1
		630	4221 50	57278	1	4221 55	72234	1
	DPX ³ 1600	800	4224 08	110206	1	4224 14	123000	1
		1000	4224 09	147994	1	4224 15	187588	1
		1250	4224 10	163514	1	4224 16	211356	1
		1600	4224 11	174464	1	4224 17	248352	1

* MRP - Maximum Retail Price Inclusive of all taxes including GST.
 ■ Price available on request.

Bold Cat.Nos are products normally available with Legrand (India) Stockists.
 Cat.Nos that are not bold - delivery within 4 - 8 weeks from the date of order.
 Bold packing quantity is our mandatory packing. Orders to be placed by Legrand (India) Stockist in multiples of the same.

DPX³ MCCB

DPX³ MCCB with Electronic Sg (LSIg) Protection Unit

Category	Type	Rated Current (A)	3P			4P		
			Cat.Nos	MRP*/₹/Unit	Pack	Cat.Nos	MRP*/₹/Unit	Pack
70 kA	DPX ³ 250	40	4206 92	39282	1	4207 02	44524	1
		100	4206 95	39282	1	4207 05	44524	1
		160	4206 97	45924	1	4207 07	51348	1
		250	4206 99	47032	1	4207 09	54038	1
	DPX ³ 630	320	4221 57	61202	1	4221 62	75512	1
		400	4221 58	61202	1	4221 63	75512	1
		500	4221 59	70468	1	4221 64	95892	1
		630	4221 60	70468	1	4221 65	95892	1
	DPX ³ 1600	800	4224 20	112152	1	4224 26	135256	1
		1000	4224 21	156766	1	4224 27	242524	1
		1250	4224 22	218392	1	4224 28	280758	1
		1600	4224 23	294896	1	4224 29	330976	1

DPX³ MCCB

DPX³ MCCB with Electronic S2⁺ (LSI)⁺ & Energy Metering Protection Unit

- Range: 40A – 1600A, Ics=100%Icu, Three Optimum Frames
- Protection against overloads:
 - Ir adjustable from 0.4 to 1 x In
 - tr adjustable from 3 to 30s#
- Protection against short circuits:
 - Isd adjustable from 1.5 to 10 x Ir
 - tsd adjustable from 0 to 0.5s
- Inbuilt Instantaneous Protection:
 - li# – Fixed
- Option for In built or add on module for Earth Leakage Protection##
 - Adjustable sensitivity: 0.03 - 0.3 - 1 - 3 A
 - Adjustable tripping: 0 - 0.3 - 1 - 3s
- Breaking Capacity# – 25kA, 36kA, 50kA, 70kA & 100kA
- Integrated energy metering with accuracy class 2
- Measure for currents, voltage, frequency, power, energy and harmonics
- Internal Battery with battery measure function
- Communication Ready via COMM Port
- Logical Selectivity Ready (Zone Selective Interlocking)
- Dynamic Selectivity as per Selectivity Charts
- In Built USB Port for Software Diagnosis
- Suitable for Isolation

Category	Type	Rated Current (A)	3P			4P		
			Cat.Nos	MRP*/₹/Unit	Pack	Cat.Nos	MRP*/₹/Unit	Pack
25 KA	DPX ³ 250	40	4204 02	36316	1	4204 12	41572	1
		100	4204 05	36316	1	4204 15	41586	1
		160	4204 07	39378	1	4204 17	45078	1
		250	4204 09	42638	1	4204 19	48616	1
36 KA	DPX ³ 250	40	4204 32	39928	1	4204 42	43370	1
		100	4204 35	39928	1	4204 45	43370	1
		160	4204 37	43534	1	4204 47	48670	1
		250	4204 39	47042	1	4204 49	54758	1
	DPX ³ 630	320	4220 97	51160	1	4221 02	60658	1
		400	4220 98	51160	1	4221 03	60658	1
		500	4220 99	55506	1	4221 04	68226	1
		630	4221 00	55506	1	4221 05	68226	1

■ Price available on request.

* MRP - Maximum Retail Price Inclusive of all taxes including GST.

Bold Cat.Nos are products normally available with Legrand (India) Stockists. Cat.Nos that are not bold - delivery within 4 - 8 weeks from the date of order. Bold packing quantity is our mandatory packing. Orders to be placed by Legrand (India) Stockist in multiples of the same.

DPX³ MCCB
DPX³ MCCB with Electronic S2[#] (LSI)[#] & Energy Metering Protection Unit

Category	Type	Rated Current (A)	3P			4P		
			Cat.Nos	MRP*/₹/Unit	Pack	Cat.Nos	MRP*/₹/Unit	Pack

Electronic S2 + Energy metering

36 KA	DPX ³ 1600	800	4223 48	86952	1	4223 54	97600	1
		1000	4223 49	122058	1	4223 55	171112	1
		1250	4223 50	143222	1	4223 56	193926	1
		1600	4223 51	157042	1	4223 57	214204	1
50 KA	DPX ³ 250	40	4204 62	43750	1	4204 72	47368	1
		100	4204 65	43750	1	4204 75	47368	1
		160	4204 67	48056	1	4204 77	52072	1
		250	4204 69	50810	1	4204 79	58670	1
	DPX ³ 630	320	4221 07	54260	1	4221 12	64566	1
		400	4221 08	54260	1	4221 13	64566	1
		500	4221 09	65868	1	4221 14	73610	1
		630	4221 10	65868	1	4221 15	73610	1
70 KA	DPX ³ 1600	800	4223 60	91764	1	4223 66	113184	1
		1000	4223 61	115344	1	4223 67	163506	1
		1250	4223 62	138154	1	4223 68	204400	1
		1600	4223 63	171112	1	4223 69	235120	1
	DPX ³ 250	40	4206 65	45954	1	4206 75	50856	1
		100	4206 67	45954	1	4206 77	50856	1
		160	4206 68	54922	1	4206 78	58336	1
		250	4206 69	55016	1	4206 79	80012	1
DPX ³ 630	320	4221 17	65154	1	4221 22	76540	1	
	400	4221 18	65154	1	4221 23	75770	1	
	500	4221 19	69214	1	4221 24	84294	1	
	630	4221 20	69214	1	4221 25	83444	1	
DPX ³ 1600	800	4223 72	105202	1	4223 78	130548	1	
	1000	4223 73	141832	1	4223 79	196464	1	
	1250	4223 74	168576	1	4223 80	226880	1	
	1600	4223 75	221810	1	4223 81	280114	1	

Electronic S2 + Energy Metering + Electronic earth leakage module

25 KA	DPX ³ 250	40	-	-	-	4204 22	79392	1
		100	-	-	-	4204 25	78624	1
		160	-	-	-	4204 27	83594	1
		250	-	-	-	4204 29	94154	1
36 KA	DPX ³ 250	40	-	-	-	4204 52	80414	1
		100	-	-	-	4204 55	80414	1
		160	-	-	-	4204 57	86638	1
		250	-	-	-	4204 59	95740	1
50 KA	DPX ³ 250	40	-	-	-	4204 82	83564	1
		100	-	-	-	4204 85	85950	1
		160	-	-	-	4204 87	91474	1
		250	-	-	-	4204 89	102878	1
70 KA	DPX ³ 250	40	-	-	-	4206 85	78054	1
		100	-	-	-	4206 87	78054	1
		160	-	-	-	4206 88	85754	1
		250	-	-	-	4206 89	109228	1

* MRP - Maximum Retail Price Inclusive of all taxes including GST.
 ■ Price available on request.

Bold Cat.Nos are products normally available with Legrand (India) Stockists. Cat.Nos that are not bold - delivery within 4 - 8 weeks from the date of order. Bold packing quantity is our mandatory packing. Orders to be placed by Legrand (India) Stockist in multiples of the same.

DPX³ MCCB

DPX³ MCCB with Electronic Sg (LSIg) & Energy Metering Protection Unit

- Range: 250A – 1600A, Ics=100%Icu, Two Optimum Frames
- Protection against Overloads:
 - Ir adjustable from 0.4 to 1 x In
 - tr adjustable from 3 to 30s
- Protection against Short Circuits:
 - Isd adjustable from 1.5 to 10 x Ir
 - tsd adjustable from 0 to 0.5s
- Inbuilt Instantaneous Protection:
 - li – Fixed
- Protection against Ground Fault:
 - Ig adjustable from 0.2 to 1 In & OFF
 - tg adjustable from 0.1 to 1s
- Breaking Capacity – 36kA, 50kA, 70kA & 100kA
- Integrated energy metering with accuracy class 2
- Measure for currents, voltage, frequency, power, energy and harmonics
- Internal Battery with battery measure function
- Communication Ready via COMM Port
- Logical Selectivity Ready (Zone Selective Interlocking)
- Dynamic Selectivity as per Selectivity Charts
- In Built USB Port for Software Diagnosis
- Switchable Thermal Memory
- Suitable for Isolation

Category	Type	Rated Current (A)	3P			4P		
			Cat.Nos	MRP*/₹/Unit	Pack	Cat.Nos	MRP*/₹/Unit	Pack

Electronic Sg + Energy metering

36 KA	DPX ³ 630	320	4221 77	64646	1	4221 82	73512	1
		400	4221 78	64646	1	4221 83	73512	1
		500	4221 79	68604	1	4221 84	83258	1
		630	4221 80	68604	1	4221 85	83258	1
	DPX ³ 1600	800	4224 44	118588	1	4224 50	138154	1
		1000	4224 45	151464	1	4224 51	198998	1
		1250	4224 46	164266	1	4224 52	221810	1
		1600	4224 47	174026	1	4224 53	257300	1
50 KA	DPX ³ 630	320	4221 87	67896	1	4221 92	78378	1
		400	4221 88	67896	1	4221 93	78378	1
		500	4221 89	74726	1	4221 94	91210	1
		630	4221 90	74726	1	4221 95	91210	1
	DPX ³ 1600	800	4224 56	107148	1	4224 62	129284	1
		1000	4224 57	127966	1	4224 63	192660	1
		1250	4224 58	182518	1	4224 64	235752	1
		1600	4224 59	215472	1	4224 65	274412	1
70 KA	DPX ³ 630	320	4221 97	76918	1	4222 02	90724	1
		400	4221 98	76918	1	4222 03	90724	1
		500	4221 99	85906	1	4222 04	110500	1
		630	4222 00	85906	1	4222 05	110500	1
	DPX ³ 1600	800	4224 68	113810	1	4224 74	147664	1
		1000	4224 69	179984	1	4224 75	238820	1
		1250	4224 70	206980	1	4224 76	274068	1
		1600	4224 71	274156	1	4224 77	320368	1

Switch disconnecter

	DPX ³ 160	160	4201 98	■	1	4201 99	■	1
	DPX ³ 250	250	4202 99	■	1	4203 00	■	1
	DPX ³ 630	400	4222 16	■	1	4222 18	■	1
		630	4222 17	■	1	4222 19	■	1

■ Price available on request.

* MRP - Maximum Retail Price Inclusive of all taxes including GST.

Bold Cat.Nos are products normally available with Legrand (India) Stockists. Cat.Nos that are not bold - delivery within 4 - 8 weeks from the date of order. **Bold packing quantity** is our mandatory packing. Orders to be placed by Legrand (India) Stockist in multiples of the same.

DPX³ MCCB

Category	Type	Rated Current (A)	3P			4P		
			Cat.Nos	MRP*/₹/Unit	Pack	Cat.Nos	MRP*/₹/Unit	Pack

Only magnetic

16 KA	DPX ³ 160	16	4207 10	11918	1	-	-	-
		25	4207 11	11918	1	-	-	-
		50	4207 12	11918	1	-	-	-
		63	4207 13	11918	1	-	-	-
25 KA	DPX ³ 160	16	4207 14	13642	1	-	-	-
		25	4207 15	13642	1	-	-	-
		50	4207 16	13642	1	-	-	-
		63	4207 17	13642	1	-	-	-
36 KA	DPX ³ 250	100	4207 18	23824	1	-	-	-
		160	4207 19	23824	1	-	-	-
		200	4207 20	25190	1	-	-	-
		250	4207 21	26552	1	-	-	-
70 KA	DPX ³ 250	100	4207 22	■	1	-	-	-
		160	4207 23	■	1	-	-	-
		200	4207 24	■	1	-	-	-
		250	4207 25	■	1	-	-	-

Accessories

Type	Rotary handle				Shunt release											
	Direct		Vary depth		12 V		24 V		48 V		110 V		230 V		400 V	
	Cat.No	MRP	Cat.No	MRP	Cat.No	MRP	Cat.No	MRP	Cat.No	MRP	Cat.No	MRP	Cat.No	MRP	Cat.No	MRP
DPX ³ 160 DPX ³ 250	4201 60	1202	4201 61	1790	4210 12	2188	4210 13	2188	4210 14	2188	4210 15	2188	4210 16	2188	4210 17	2188
DPX ³ 630	4201 62	1924	4201 63	3398	-	-	4222 39	2310	4222 40	2310	4222 41	2310	4222 42	2310	4222 43	2310
DPX ³ 1600	0262 61	3748	0262 83	5746	-	-	-	-	-	-	-	-	-	-	-	-

Type	U/V release													
	12 V		24 V		48 V		110 V		230 V		400 V		480 V	
	Cat.No	MRP	Cat.No	MRP	Cat.No	MRP	Cat.No	MRP	Cat.No	MRP	Cat.No	MRP	Cat.No	MRP
DPX ³ 160 DPX ³ 250	4210 18	2734	4210 19	2734	4210 20	2734	4210 21	2708	4210 22	2708	4210 24	2708	4210 25	2708
DPX ³ 630 DPX ³ 1600	-	-	4222 45	3000	4222 46	3000	4222 47	2974	4222 48	2974	4222 49	2974	-	-

Type	Rated Current (A)	Spreaders**				Motor Operator									
		3P (Set of 3)		4P (Set of 4)		24-230V Side		24V		48V		110V		230V	
		Cat.No	MRP	Cat.No	MRP	Cat.No	MRP	Cat.No	MRP	Cat.No	MRP	Cat.No	MRP	Cat.No	MRP
DPX ³ 160		6250 02	442	6250 06	662	4210 60	30862	4210 61	27724	4210 61	27724	4210 61	27724	4210 61	27724
DPX ³ 250		6250 14	638	6250 18	848	-	-	-	-	-	-	-	-	-	-
DPX ³ 630		6250 04	1470	6250 08	1996	-	-	0261 40	57647	0261 41	57647	-	-	0261 44	44294
DPX ³ 1600	Upto 1250 A	4226 24	■	4226 25	■	-	-	0261 24	109844	0261 25	94781	0261 26	■	0261 23	52018
	Above 1600 A	0262 73	■	0262 74	■	-	-	0261 19	109844	0261 28	94781	0261 29	■	0261 27	55514

* MRP - Maximum Retail Price Inclusive of all taxes including GST.
 ■ Price available on request.

Bold Cat.Nos are products normally available with Legrand (India) Stockists. Cat.Nos that are not bold - delivery within 4 - 8 weeks from the date of order. Bold packing quantity is our mandatory packing. Orders to be placed by Legrand (India) Stockist in multiples of the same.

DPX³ 160 equipment and mounting accessories



4210 40

Cat.Nos	Description	MRP* ₹ / Unit	Pack
---------	-------------	---------------------	------

Equipment for plug-in version

4210 40	For DPX ³ 160 - 3P	■	1
4210 41	For DPX ³ 160 - 4P with or without earth leakage module	■	1
4210 44	Set of connectors for auxiliary contacts	■	1
4210 45	Key barrel and flat key for Padlocks	■	1
4210 46	Key barrel and star key for Padlocks	■	1
4210 47	Padlock accessory	■	1

Connection accessories

4210 26	Set of 3 terminals for High capacity cage terminals	7044	1
4210 27	Set of 4 terminals for High capacity cage terminals	9310	1
4210 70	Set of 3 insulated shields	156	1
4210 28	Set of 3 terminals Screw terminals for copper bars connection	800	1
4210 29	Set of 4 terminals Screw terminals for copper bars connection	956	1
6250 02	Set of 3 spreaders for DPX ³ 160 3P	442	1
6250 06	Set of 4 spreaders for DPX ³ 160 4P	662	1

Connection accessories

4210 36	Set of 3 rear terminals for DPX ³ 160 3P	3768	1
4210 37	Set of 4 rear terminals for DPX ³ 160 4P	5052	1

Sealable terminal shields

For front terminals

4210 54	For DPX ³ 160 3P	4112	1
4210 55	For DPX ³ 160 3P	4344	1

For rear terminals

4210 50	For DPX ³ 160 3P	2600	1
4210 51	For DPX ³ 160 4P	2312	1

Fixing plates

4210 71	For DPX ³ 160 3P / 4P without earth leakage module	380	1
4210 73	For DPX ³ 160 4P with earth leakage module	934	1
4210 68	For DPX ³ 160 3P / 4P with side mounting motor operator	956	1

■ Price available on request.

* MRP - Maximum Retail Price Inclusive of all taxes including GST.

MCCB Prices are without spreaders. For ordering spreaders refer page no. 21

DPX³ 160 and 250 common auxiliaries and accessories



4210 58

Cat.Nos	Description	MRP* ₹ / Unit	Pack
---------	-------------	---------------------	------

Supply inverter type

4210 58	For fixed version	3472	1
4210 59	For plug-in and draw-out version	3700	1

Rotary handles

4201 60	Standard handle for thermal magnetic DPX ³	1202	1
4201 61	Vari-depth standard handles	1790	1
4201 67	Key Lock for VD RH DPX ³ 160 & 250	2110	1
4201 65	Key Lock for DIR RH Type A DPX ³ 160 & 250	2052	1
4201 68	Key Lock for VD RH Type A DPX ³ 160 & 250	2110	1
4201 66	Key Lock for DIR RH Type B DPX ³ 160 & 250	2052	1
4201 69	Key Lock for VD RH Type B DPX ³ 160 & 250	2110	1

Motor-driven handles

4210 60	Side motor operator	30862	1
4210 61	Front motor operator	27724	1
4210 62	Ronis key barrel for front motor operator	■	1
4210 63	Profalux key barrel for front motor operator	■	1

DPX³ 160 and 250 common auxiliaries and accessories

4210 64	Padlock for front motor operator	2148	1
4210 65	Ronis key barrel for side motor operator	16708	1
4210 66	Profalux key barrel for side motor operator	15180	1
4210 67	Padlock for side motor operator	2280	1

Auxiliary contacts

4210 10	1 N/C + 1 N/O auxiliary contact for rotary handles	1258	1
4210 11	Auxiliary contact or fault signalling contact	982	1
4210 48	Signalling contact plugged-in/drawn-out (for DPX ³ plug-in version)	■	1

Locking accessory

4210 49	Padlock for locking in "open" position	1080	1
---------	---	------	---

Communication interface

4210 75	Modbus	14260	1
---------	--------	-------	---

Bold Cat.Nos are products normally available with Legrand (India) Stockists. Cat.Nos that are not bold - delivery within 4 - 8 weeks from the date of order. Bold packing quantity is our mandatory packing. Orders to be placed by Legrand (India) Stockist in multiples of the same.

DPX³ 250 equipment and mounting accessories

Cat.Nos	Description	MRP* ₹ / Unit	Pack
---------	-------------	------------------	------

Equipment for plug-in version

4210 42	For DPX ³ 250 - 3P	■	1
4210 43	For DPX ³ 250 - 4P with or without earth leakage module	■	1
4210 44	Set of connectors for auxiliary contacts	■	1
4210 45	Key barrel and flat key N° ABA90GEL6149 for Padlocks	■	1
4210 46	Key barrel and star key N° HBA90GPS6149 for Padlocks	■	1
4210 47	Padlock accessory	■	1

Connection accessories

4210 30	Set of 3 cage terminals	2840	1
4210 31	Set of 4 cage terminals	3698	1
4210 70	Set of 3 phase barriers	156	1

Connection accessories

6250 14	Set of 3 spreaders for DPX ³ 250 3P	638	1
6250 18	Set of 4 spreaders for DPX ³ 250 4P	848	1
4210 38	Set of 3 rear terminals for DPX ³ 250 3P	3806	1
4210 39	Set of 4 rear terminals for DPX ³ 250 4P	5124	1

Sealable terminal shields

For front terminals

4210 56	For DPX ³ 250 3P	4260	1
4210 57	For DPX ³ 250 4P	4510	1

For rear terminals

4210 52	For DPX ³ 250 3P	2542	1
4210 53	For DPX ³ 250 4P	2796	1

Fixing plates

4210 72	For DPX ³ 250 3P / 4P without earth leakage module	380	1
4210 74	For DPX ³ 250 4P with earth leakage module	1614	1
4210 69	For DPX ³ 250 3P / 4P with side mounting motor operator	942	1

DPX³ 630 equipment and accessories

Plug-in version

4222 20	Set of incoming and outgoing terminals - 3P (6 terminals for 3P DPX ³ or 8 terminals for 4P DPX ³)	■	1
---------	---	---	---

DPX³ 630 equipment and accessories

Cat.Nos	Description	MRP* ₹ / Unit	Pack
---------	-------------	------------------	------

Plug-in version

4222 21	Set of incoming and outgoing terminals - 4P (6 terminals for 3P DPX ³ or 8 terminals for 4P DPX ³)	■	1
4222 22	Front terminal mounting base for DPX ³ only - 3P	■	1
4222 24	Flat rear terminal mounting base for DPX ³ only - 3P	■	1
4222 23	Front terminal mounting base for DPX ³ only - 4P	■	1
4222 25	Flat rear terminal mounting base for DPX ³ only - 4P	■	1
4222 26	Front terminal mounting base for DPX ³ with earth leakage module - 4 P	■	1
4222 27	Flat rear terminal mounting base for DPX ³ with earth leakage module - 4P	■	1
4222 37	For fixing the signalling contact - 4P Cat.No 0265 74 on a DPX ³ plug-in version	■	1
4222 28	Set of 2 extractor handle	■	1
4222 29	Set of connectors (24-pin)	■	1

Draw-out version

4222 31	"Debro-lift" mechanism for DPX ³ base only - 3P	■	1
4222 32	"Debro-lift" mechanism for DPX ³ base only - 4P	■	1
4222 33	"Debro-lift" mechanism for DPX ³ base with elm - 4P	■	1
0265 76	One key for "Debro-lift" mechanism for DPX ³ only - Flat key	■	1
0265 78	Two keys (one key supplied) for "Debro-lift" mechanism for motorised DPX ³ or with rotary handle - Flat key	■	1
0263 48	One key for "Debro-lift" mechanism for DPX ³ only - Star key	■	1
0265 77	Two keys (one key supplied) for motorised DPX ³ or with rotary handle - Star key	■	1
0265 75	Handle for drawing-out for "Debro-lift" mechanism	■	1
0265 74	Signalling contact (plugged-in/drawn-out) for "Debro-lift" mechanism	■	1
4222 36	For fixing the signalling contact Cat.No 0265 74 on a DPX ³ draw-out version	■	1

■ Price available on request.

* MRP - Maximum Retail Price Inclusive of all taxes including GST.

MCCB Prices are without spreaders. For ordering spreaders refer page no. 21

Bold Cat.Nos are products normally available with Legrand (India) Stockists. Cat.Nos that are not bold - delivery within 4 - 8 weeks from the date of order. Bold packing quantity is our mandatory packing. Orders to be placed by Legrand (India) Stockist in multiples of the same.

DPX³ 630 equipment and accessories

Cat.Nos	Description	MRP* ₹ / Unit	Pack
---------	-------------	---------------------	------

Draw-out version

4222 30	Block of 6 automatic auxiliary contacts for DPX ³ draw-out version (up to 2 blocks by DPX ³)	■	1
---------	---	---	---

Supply inverter type

0264 09	Plate for MCCB or trip-free switch fixed version	9016	1
0264 04	Plate for MCCB or trip-free switch plug-in and draw-out version	14036	1

Rotary handles

4201 62	Direct rotary handle	1924	1
4201 63	Vari-depth rotary handle	3398	1
4201 70	Key Lock for VD RH DPX ³ 630	2110	1
4201 71	Key Lock for VD RH Type A DPX ³ 630	2110	1
4201 72	Key Lock for VD RH Type B DPX ³ 630	2110	1

Motor-driven handles

0261 40	Front operated 24 V~/=	57647	1
0261 41	Front operated 48 V~/=	57647	1
0261 44	Front operated 230 V~	44294	1
0261 59	Lock and flat key	7110	1
0261 58	Lock and star key	14824	1

Accessories

0262 30	Set of 3 Insulated shields	186	1
0262 44	Set of 2 sealable terminal shields - 3P	5582	1
0262 45	Set of 2 sealable terminal shields - 4P	1566	1
0262 40	Padlock for locking in "OPEN" position - 4P	1892	1
0262 46	Set of 4 adaptors + insulated shields for lug - 4P	7404	1
0262 47	Set of 4 extended front terminals - 4P	5540	1
6250 04	Set of incoming or outgoing spreaders - 3P	1470	1
6250 08	Set of incoming or outgoing spreaders - 4P	1996	1
0263 50	Set of incoming or outgoing swivel rear terminals - 3P	■	1
0263 52	Set of incoming or outgoing flat rear terminals - 3P	17896	1
0263 51	Set of incoming or outgoing swivel terminals - 4P	■	1
0263 53	Set of incoming or outgoing flat terminals - 4P	■	1
4222 34	Set of 2 IP 20 terminal covers - 3P	■	1
4222 35	Set of 2 IP 20 terminal covers - 4P	■	1



0261 40



6250 04



4222 34



4222 35

■ Price available on request.

* MRP - Maximum Retail Price Inclusive of all taxes including GST.

DPX³ 630 earth leakage module

Type and frame size	Rated Current (A)	Poles	Cat.Nos	MRP* ₹ / Unit	Pack
---------------------	-------------------	-------	---------	---------------------	------

Earth Leakage Module

Standard

DPX ³ 630	400 A	3 Pole	0260 60	32626	1
	630 A	3 Pole	0260 64	60756	1
DPX ³ 630	400 A	4 Pole	0260 61	57266	1
	630 A	4 Pole	0260 65	60360	1

LED Version

DPX ³ 630	400 A	4 Pole	0260 63	■	1
	630 A	4 Pole	0260 67	■	1

DPX³ 1600 equipment and accessories

Cat.Nos	Description	MRP* ₹ / Unit	Pack
---------	-------------	---------------------	------

Draw-out version

4225 86	Front terminals - 3P	■	1
4225 88	Rear terminals - 3P	■	1
4225 87	Front terminals - 4P	■	1
4225 89	Rear terminals - 4P	■	1
4225 93	Debro-lift mechanism For DPX ³ 1600 - 3P	■	1
4225 94	Debro-lift mechanism for DPX ³ 1600 - 4P	■	1
4225 95	For fixing the signalling contact Cat.No 0265 74 on a DPX ³ draw-out version	■	1
0265 76	One key for "Debro-lift" mechanism for DPX ³ only - Flat key	■	1
0265 80	Two key (one key supplied) for motorised DPX ³ or with rotary handle	■	1
0263 48	One key for DPX ³ only - Starkey	■	1
0265 79	Two key (one key supplied) for motorised DPX ³ or with rotary handle	■	1
0265 75	Handle for drawing-out for "Debro-lift" mechanism	■	1
0265 74	Signalling contact (plugged-in/drawn-out)	■	1
4222 30	Block of 6 automatic auxiliary contacts for DPX ³ draw-out version (up to 2 blocks by DPX ³)	■	1



4225 88
+
4225 93

Bold Cat.Nos are products normally available with Legrand (India) Stockists. Cat.Nos that are not bold - delivery within 4 - 8 weeks from the date of order. Bold packing quantity is our mandatory packing. Orders to be placed by Legrand (India) Stockist in multiples of the same.

DPX³ 1600 equipment and accessories

Cat.Nos	Description	MRP* ₹ / Unit	Pack
---------	-------------	------------------	------

Supply inverter type

0264 10	Plate for MCCBs or trip-free switch fixed version	10854	1
0264 05	Plate for MCCBs or trip-free switch plug-in and draw-out version	24276	1

Rotary handles

0262 61	Standard (black) direct on DPX ³	3748	1
0262 83	Standard (black) vari-depth handle IP 55	5746	1
0262 93	Key barrel and flat key	2134	1
0262 94	Key barrel and star key	11772	1

Motor-driven handles

0261 54	Front operated 230 V±	75130	1
0261 24	Front operated 24 V±/= for I _n ≤ 1250 A	109844	1
0261 25	Front operated 48 V±/= for I _n ≤ 1250 A	94781	1

Motor-driven handles

0261 26	Front operated 110 V±/= for I _n ≤ 1250 A	■	1
0261 23	Front operated 230 V±/= for I _n ≤ 1250 A	52018	1
0261 19	Front operated 24 V±/= for I _n = 1600 A	109844	1
0261 28	Front operated 48 V±/= for I _n = 1600 A	94781	1
0261 29	Front operated 110 V±/= for I _n = 1600 A	■	1
0261 27	Front operated 230 V±/= for I _n = 1600 A	55514	1
0261 59	Key and flat key	7110	1
0261 58	Key and star key	14824	1

Accessories

0262 66	Set of 3 insulated shields	364	1
0262 64	Set of 2 sealable terminal shields - 3P	11105	1
0262 65	Set of 2 sealable terminal shields - 4P	2428	1
0262 60	Padlock for locking in "open" position	2086	1
0262 67	Set of 4 extended front short terminals for 630 - 1250 A (2 bars max. per pole)	13481	1



0262 60

- Price available on request.
- * MRP - Maximum Retail Price Inclusive of all taxes including GST.
- ◆ For Cat.Nos. and further details please contact th nearest branch.
- ▼ For communication add 4226 82 + 4226 89

DPX³ 630 and 1600 common auxiliaries

Cat.Nos	Description	MRP* ₹ / Unit	Pack
---------	-------------	------------------	------

Accessories

0262 68	Set of 4 extended front Long terminals for 1600 A (3 bars max. per pole)	20664	1
4226 24	Set of incoming or outgoing spreaders for 800 A & 1000 A - 3P	■	1
4226 25	Set of incoming or outgoing spreaders for 800 A & 1000 A - 4P	■	1
0262 73	Set of incoming or outgoing spreaders for 1250 A & 1600 A - 3P	■	1
0262 74	Set of incoming or outgoing spreaders for 1250 A & 1600 A - 4P	■	1
0263 80	Short rear terminals - 3P	■	1
0263 81	Long rear terminals - 3P	■	1
0263 82	Short rear terminals - 4P	■	1
0263 83	Long rear terminals - 4P	■	1
4225 90	Set of 2 IP 20 terminal covers - 3P	1528	1
4225 91	Set of 2 IP 20 terminal covers - 4P	2484	1
4225 92	External neutral - 4P	13460	1



0262 67
+
0262 68

Common auxiliaries

4210 11	For signalling the state of the contacts or opening of the MCCB on a fault For DPX ³ /DPX ³ -I Changeover switch 3 A - 240 V±	982	1
---------	--	-----	---

Releases

Allow remote tripping of a DPX³

Time-lag undervoltage releases (800 ms)

Prevent false tripping in the event of power supply microbreaks.

Require a time-lag module connected to the undervoltage release Cat.No 4226 23

0261 90	Time-lag module 230 VA 3 module	19946	1
---------	------------------------------------	-------	---

Bold Cat.Nos are products normally available with Legrand (India) Stockists. Cat.Nos that are not bold - delivery within 4 - 8 weeks from the date of order. Bold packing quantity is our mandatory packing. Orders to be placed by Legrand (India) Stockist in multiples of the same.

DPX³ MCCB

Rotary handles
for DPX³



- Smaller dimension of rotary handle base for better visibility of parameters and better access to trip unit
- Easy installation
- Spring for better play
- Door defeat mechanism for easy maintenance
- ON / OFF indication on the knob
- Pad Locking on the knob – upto 3 Locks



Scan to know more about
the product.

Bold Cat.Nos are products normally available with Legrand (India) Stockists. Cat.Nos that are not bold - delivery within 4 - 8 weeks from the date of order. Bold packing quantity is our mandatory packing. Orders to be placed by Legrand (India) Stockist in multiples of the same.

Cat.Nos	Description	MRP* ₹ / Unit	Pack
---------	-------------	------------------	------

Releases

0261 91	Time-lag module 400 VA	29140	1
4226 23	Undervoltage release for DPX ³ 630 and 1600	■	1

Auto Transfer Controller

4226 80	Standard unit	28992	1
4226 82	Advanced unit	31628	1
4226 89▼	Communication module	8478	1

Residual current relay

0260 88	Residual current relay to clip on module 2 rail	20540	1
---------	--	-------	---

Current Transformer

0260 92	Coil Ø35 mm	■	1
0260 93	Coil Ø80 mm	■	1
0260 94	Coil Ø110 mm	■	1
0260 95	Coil Ø140 mm	■	1
0260 96	Coil Ø210 mm	■	1
0260 97	Coil Ø150 mm - open	■	1
0260 98	Coil Ø300 mm - open	■	1

DPX³ ready-to-install ATS kit without MCCBs

6253 80*	Ready to use assembly for DPX ³ 160	244092	1
6253 81*	Ready to use assembly for DPX ³ 160 & DPX ³ 250	246334	1
6253 82*	Ready to use assembly for DPX ³ 250	306796	1
6253 87*	Ready to use assembly for DPX ³ 630	311482	1
6253 93	Kit assembly for ATS for DPX ³ 160	17534	1
6253 94	Kit assembly for ATS for DPX ³ 250	22136	1
6253 95	Kit assembly for ATS for DPX ³ 630	29044	1

Metal one way enclosures for MCCB

Cat.Nos	Description	No. of modules	MRP* ₹ / Unit	Pack
---------	-------------	-------------------	------------------	------

5078 01	DPX3 160 MCCB enclosure	3&4	3912	1
5078 02	DPX3 250 MCCB enclosure	3&4	6948	1
5078 04	DPX3 630 MCCB enclosure	3&4	10532	1

■ Price available on request.

* MRP - Maximum Retail Price Inclusive of all taxes including GST.

♦ For Cat.Nos. and further details please contact th nearest branch.

▼ For communication add 4226 82 + 4226 89



4226 82



0260 88



0260 93
coil for use
with relay



0260 98



6253 93